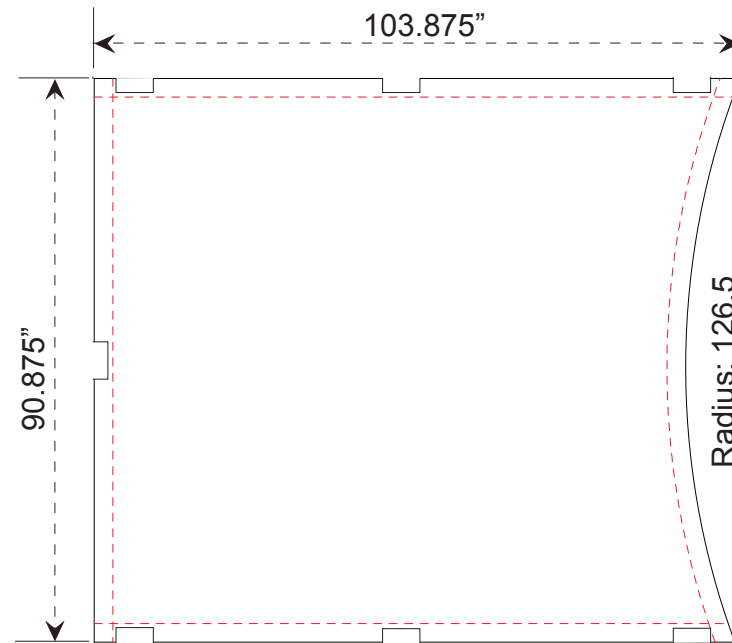


Product Name: MOR
Process: Colossus 8-Color
Material: Poly Knit 9
Effective Date: 12/03/2009

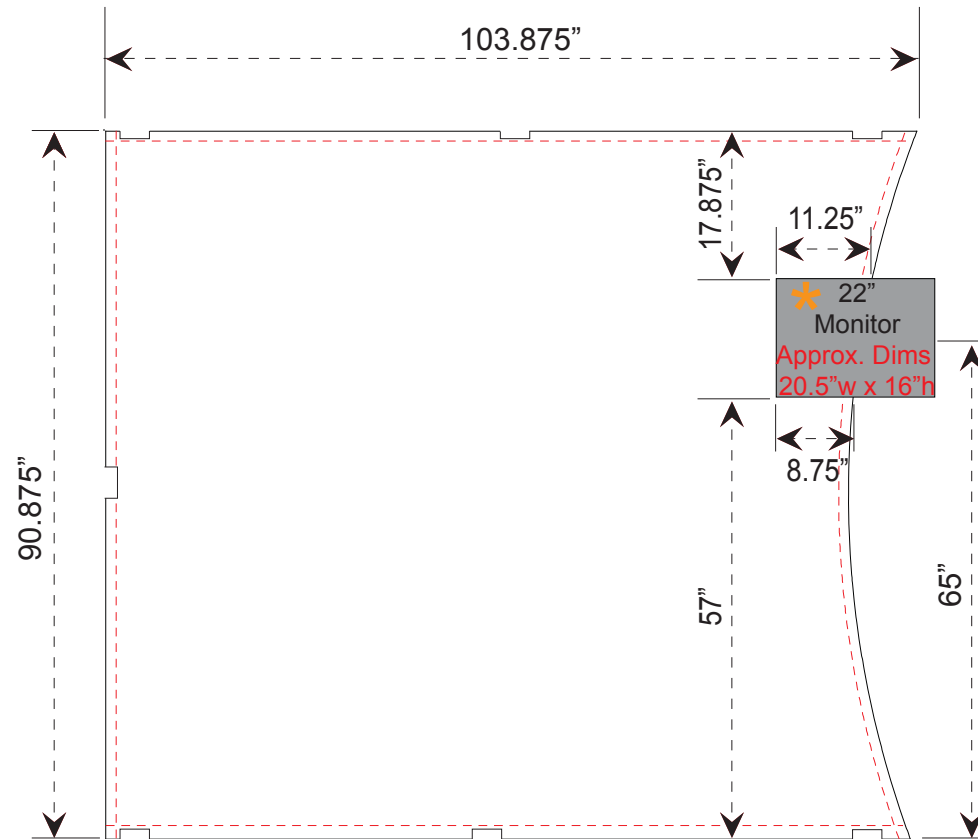


Finished Size: 103.875"w x 90.875"h  
Live Area: 102.41"w x 89.418"h  
Add approx 3/4" bleed around perimeter  
  
Sew 1/2" hook Velcro into front perimeter

**NOTE:** Graphic files must be @ 150 dpi Finished Size.  
**DO NOT** send Flattened Files. Production can not manipulate  
the content, proportion or color of these files.

**NOTE:** These dimensions are for graphic layout purposes.  
Graphic needs to be cut and test fitted to Magellan MOR frame.

Product Name: MOR
Process: Colossus 8-Color
Material: Poly Knit 9
Effective Date: 12/03/2009



Location of the monitor can vary depending on the position of the articulating arm.

\***Note: Articulating Mount** is required for Magellan MOR unit.

When adding a Monitor to the MOR unit, portion of the graphic may be covered. Please design graphic layout according to suggested location.

See Header Graphic Dims for header locations.

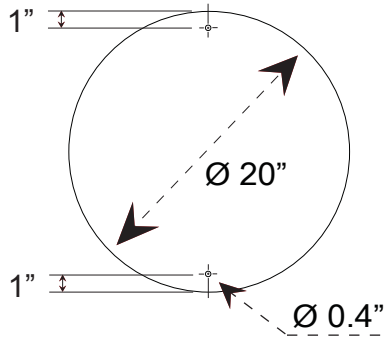
**NOTE:** Graphic files must be @ 150 dpi Finished Size.  
**DO NOT** send Flattened Files. Production can not manipulate the content, proportion or color of these files.

**NOTE:** These dimensions are for graphic layout purposes.  
Graphic needs to be cut and test fitted to Magellan MOR frame.

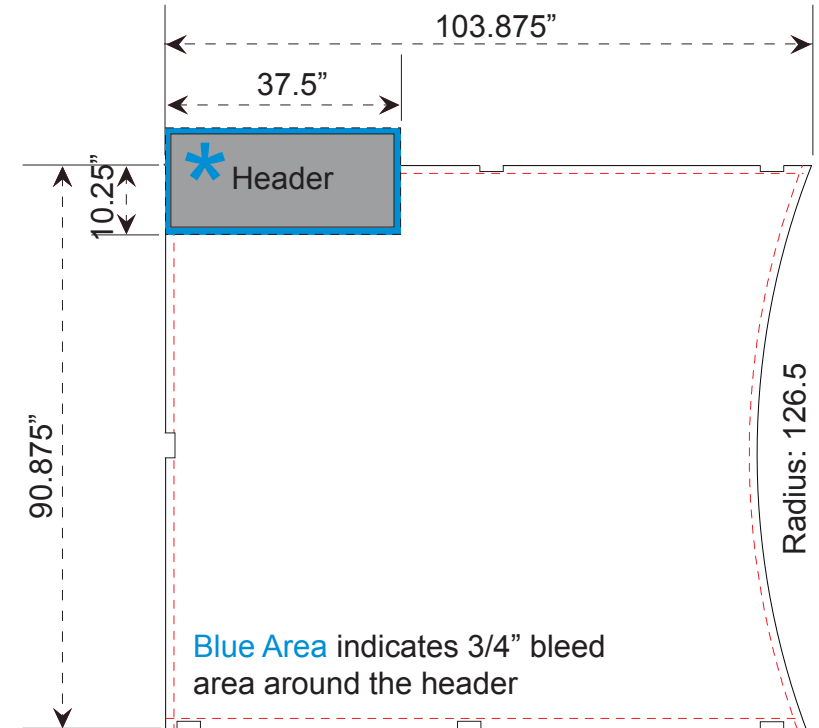
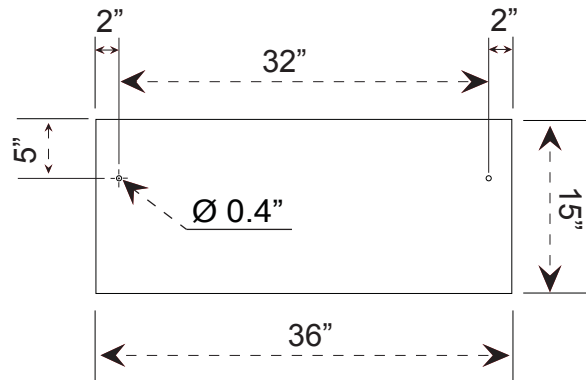
Product Name: MOR
Process: Direct Print
Material: 1/4" and 1/8" Sintra
Effective Date: 12/03/2009

Magellan MOR Backwall Header Graphic Dims - 10ft Version

1/4" Circular Graphic For Workstation



1/8" Header Graphic

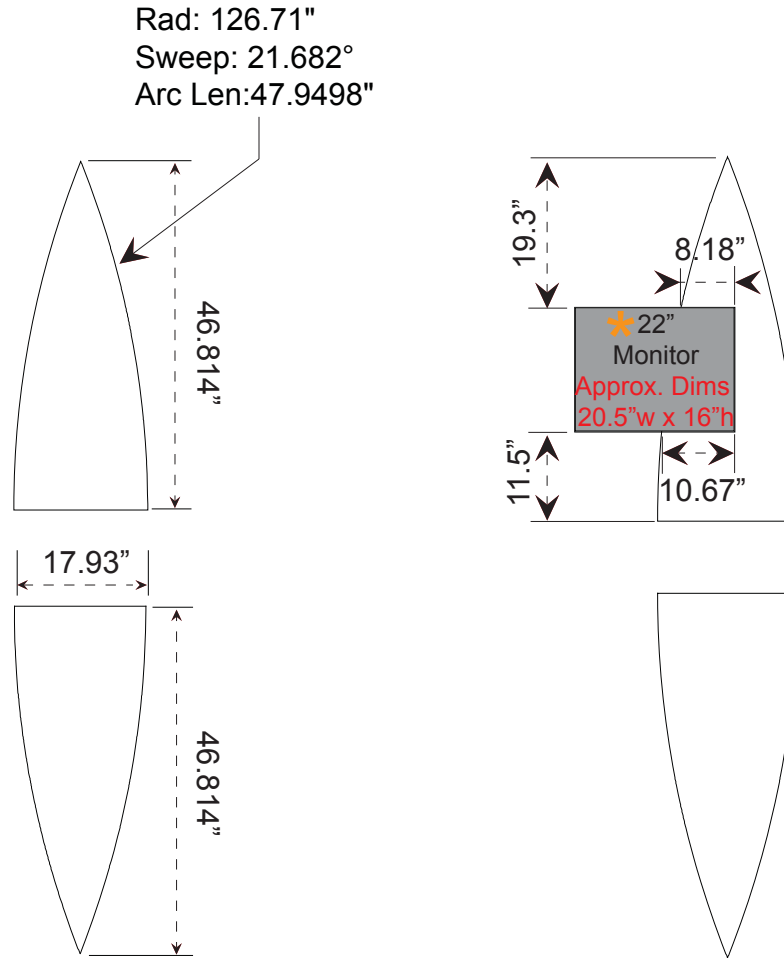


Blue Area indicates 3/4" bleed area around the header

\* Note: When using a Header with the MOR unit a portion of the graphic will be covered. Please design graphic layout according to suggested location.

A small portion of your graphic(s) may be hidden by Magellan MOR accessories, such as Headers. Please use these diagrams to position your graphics correctly.

Product Name: MOR
Process: Direct Print
Material: 1/4" Sintra
Effective Date: 12/03/2009



Location of the monitor can vary depending on the position of the articulating arm.

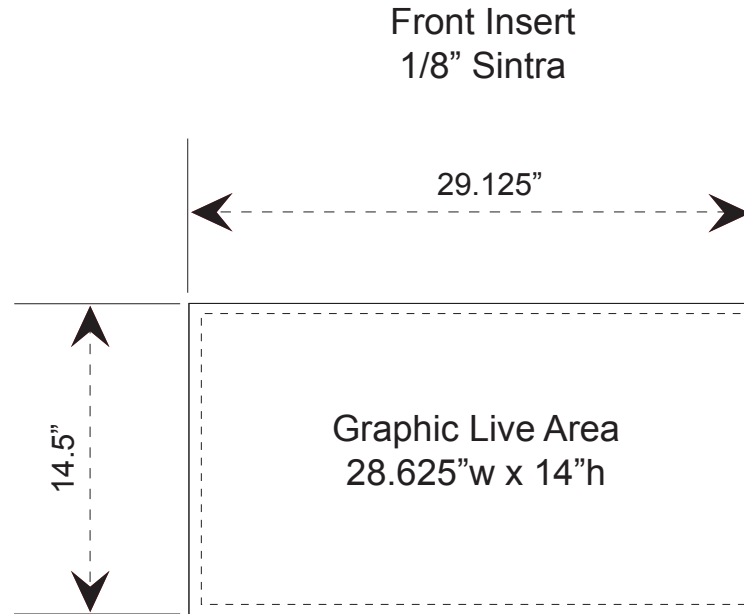
\*Note: **Articulating Mount** is required for Magellan MOR unit.

When adding a Monitor to the MOR unit, portion of the graphic may be covered. Please design graphic layout according to suggested location.

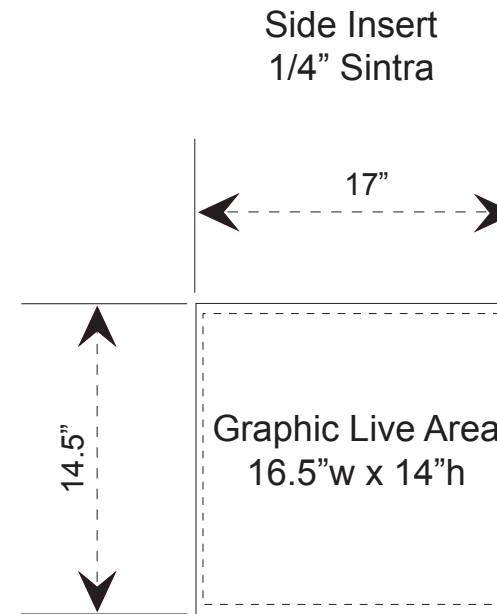
NOTE: Graphic files must be @ 150 dpi Finished Size.  
DO NOT send Flattened Files. Production can not manipulate the content, proportion or color of these files.

NOTE: These dimensions are for graphic layout purposes.  
Graphic needs to be cut and test fitted to Magellan MOR frame.

Product Name: MOR
Process: Direct Print
Material: 1/4" and 1/8" Sintra
Effective Date: 12/03/2009



Finished Size: 29.125" w x 14.5" h  
Live Area: 28.625" w x 14" h  
Add 1/4" bleed around perimeter



Finished Size: 17" w x 14.5" h  
Live Area: 16.5" w x 14" h  
Add 1/4" bleed around perimeter

**NOTE:** Graphic files must be @ 150 dpi Finished Size.  
**DO NOT** send Flattened Files. Production can not manipulate  
the content, proportion or color of these files.

**NOTE:** These dimensions are for graphic layout purposes.  
Graphic needs to be cut and test fitted to Magellan MOR frame.