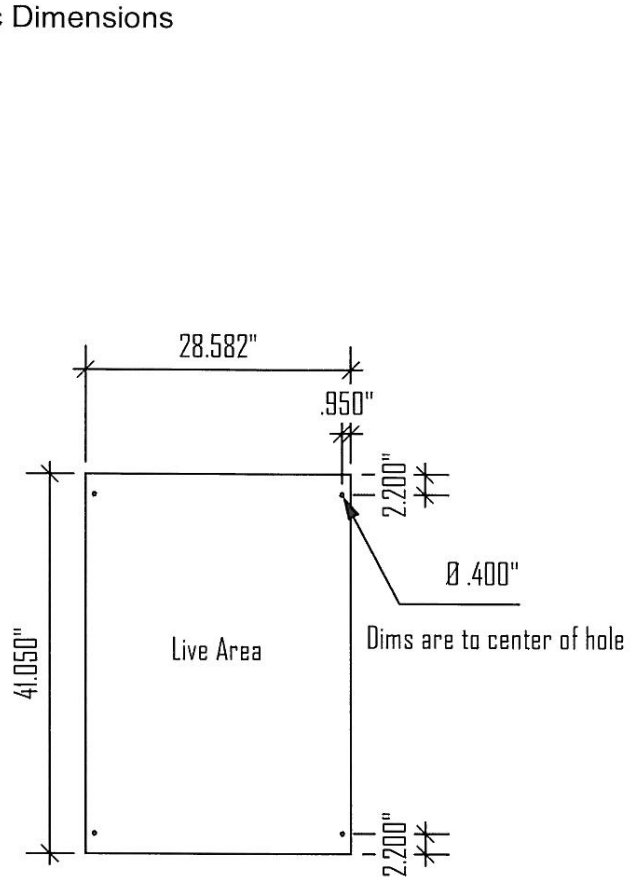
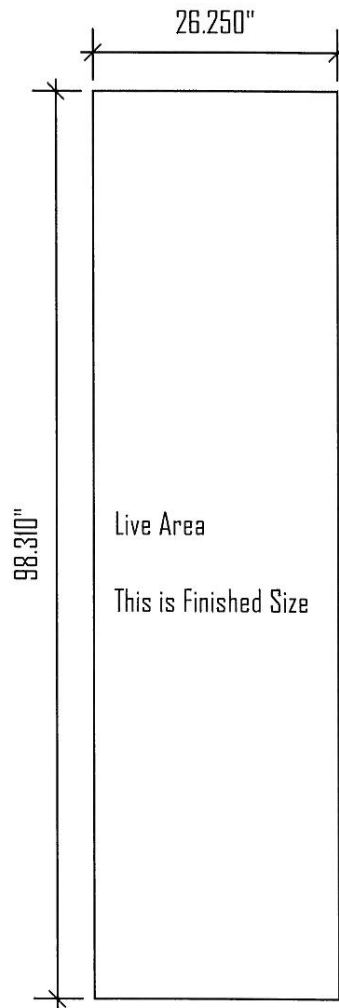


Order # 28267  
Graphic Dimensions



Rollable Graphic for Small Concave Frame  
Qty: 3

Apply Magnet Strip to Backside Perimeter



Tension Fabric Graphic for Large Convex Frames  
Qty: 3

Apply Hook Velcro To TOP, BOTTOM, LEFT and RIGHT BACK Sides

Part Number	Qty	View	Detail Drawing Number
Finish 1		Finish 2	
Notes:			



classicexhibits

Ph: 866.652.2100  
Fax: 503.652.7084

Drawing Number:  
Distributor Name:  
Client Name:

Attention:  
Date:  
Prepared By: Edie Arambula