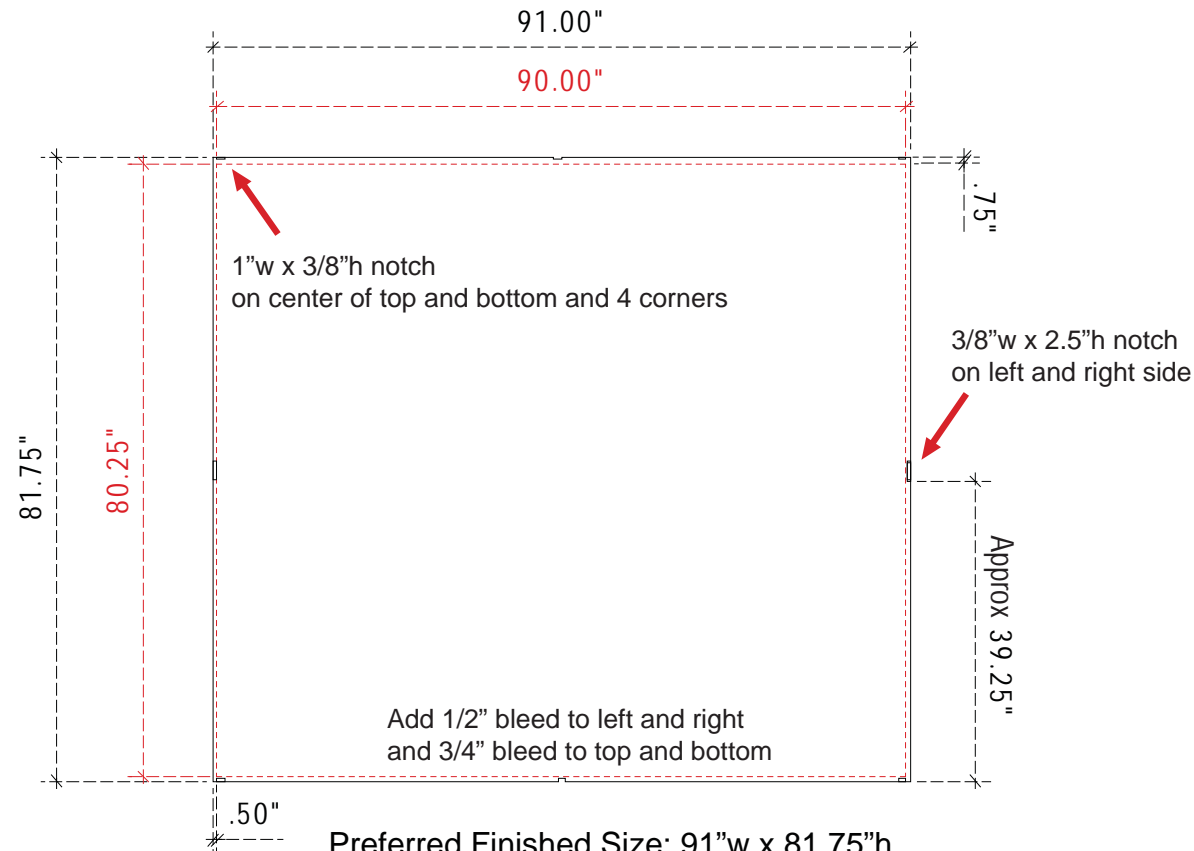


Product Name: Sacagawea
Process: Colossus 8-Color
Material: Poly Knit 9
Effective Date: 4/1/2010

Backwall Tension Fabric Graphic (Included)



Preferred Finished Size: 91"w x 81.75"h
Preferred Live Area: 90"w x 80.25"h

Alt. Finished Size: 91"w x 80"h

Alt. Live Area: 90"w x 78.5

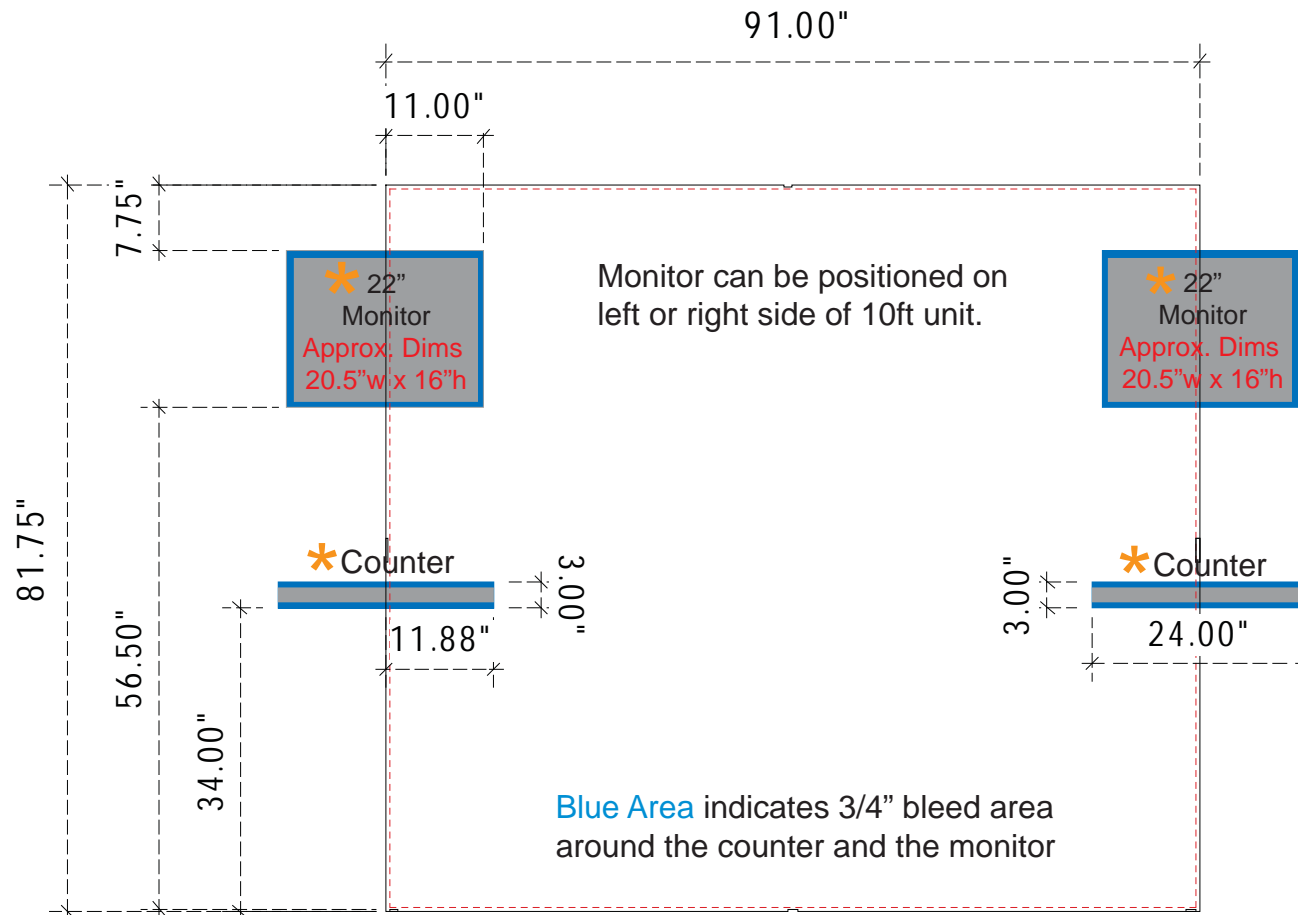
Sew 1/2" hook Velcro into **front perimeter**

NOTE: Graphic files must be @ 150 dpi Finished Size.
DO NOT send Flattened Files. Production can not manipulate the content, proportion or color of these files.

NOTE: These dimensions are for graphic layout purposes.
Graphic needs to be cut and test fitted to Sacagawea frame.

Sacagawea Backwall Graphic Dims with Accessories - 10ft Version

Product Name: Sacagawea
Process: Colossus 8-Color
Material: Poly Knit 9
Effective Date: 4/1/2010



* Note: When adding Monitors and Counters to the Sacagawea unit, portions of the graphic will be covered. Please design graphic layout according to suggested locations.

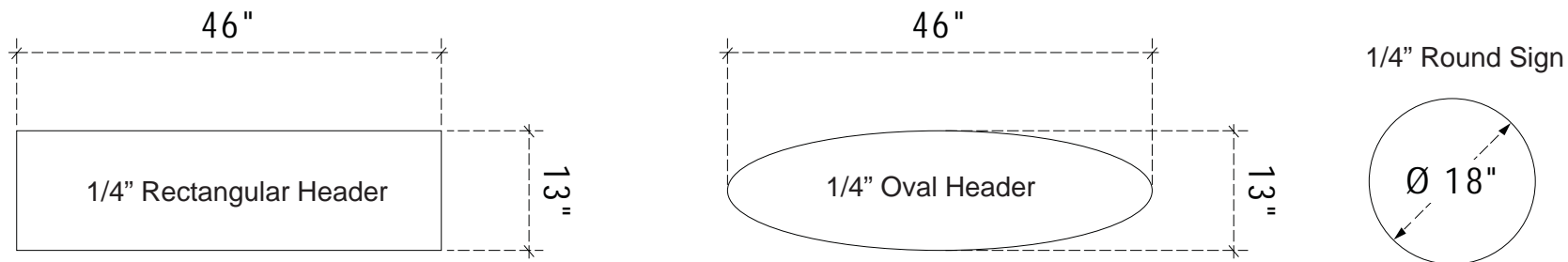
See Header Graphic Dims for header locations.

NOTE: Graphic files must be @ 150 dpi Finished Size.
DO NOT send Flattened Files. Production can not manipulate the content, proportion or color of these files.

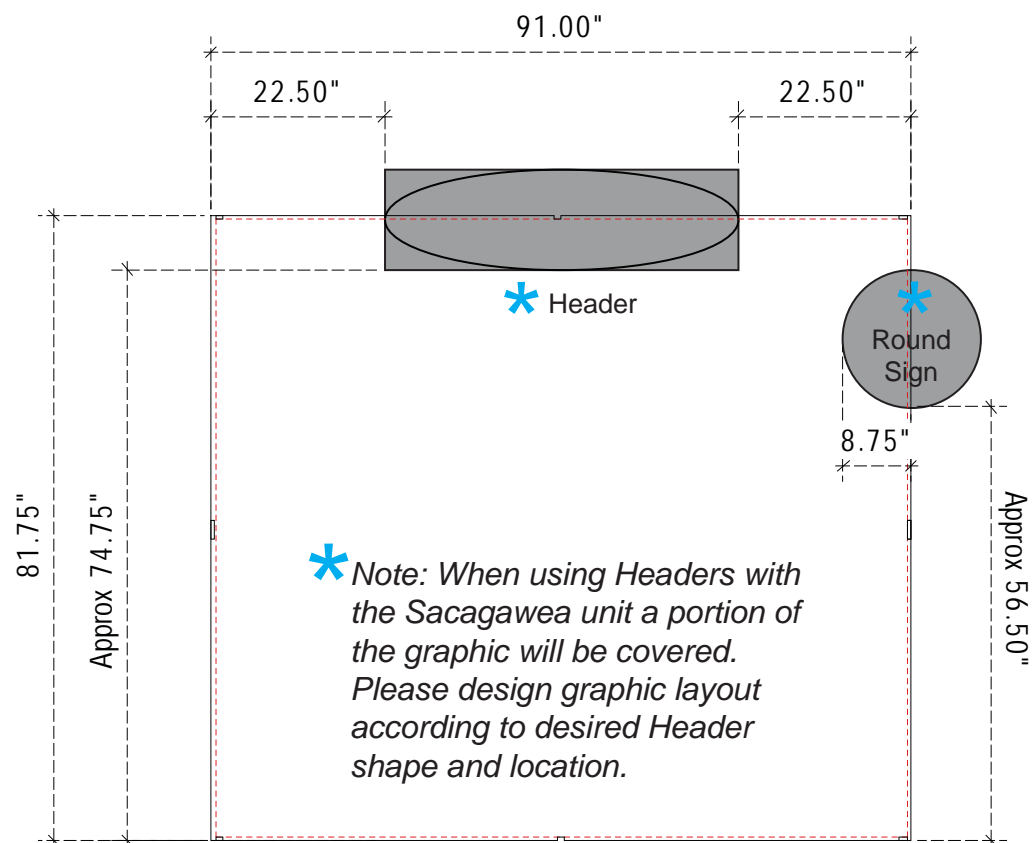
NOTE: These dimensions are for graphic layout purposes. Graphic needs to be cut and test fitted to Sacagawea frame.

Product Name: Sacagawea
Process: Direct Print
Material: 1/4" Sintra
Effective Date: 4/1/2010

Sacagawea Backwall Header Graphic Dims

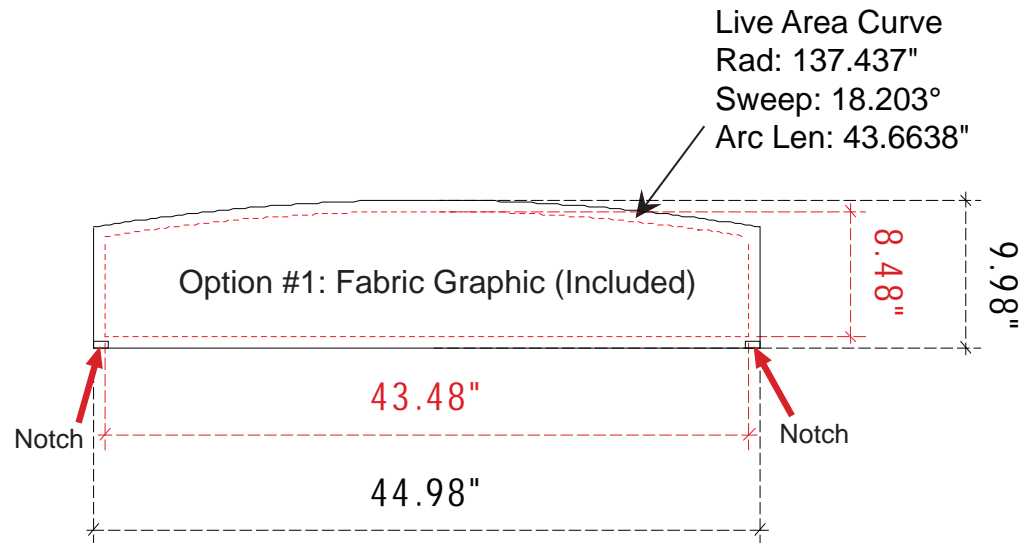


A small portion of your graphic(s) may be hidden by Sacagawea accessories, such as Headers. Please use these diagrams to position your graphics correctly.



Product Name: Sacagawea
Process: Colossus 8-Color/ Direct Print
Material: Poly Knit 9/ 1/4" Sintra
Effective Date: 3/19/2010

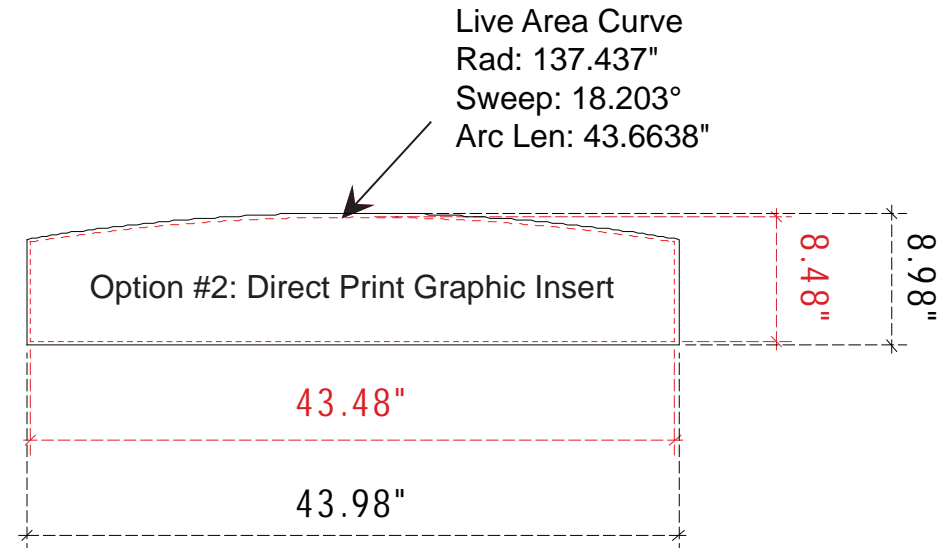
Header Fabric Graphic



Finished Size: 44.98"w x 9.98"h
Live Area: 43.48"w x 8.48"h

Add 3/4" bleed around perimeter
Sew 1/2" Velcro into front perimeter

1/4" Direct Print Header Graphic



Finished Size: 43.98"w x 8.98"h
Live Area: 43.48"w x 8.48"h

Add 1/4" bleed around perimeter

NOTE: Graphic files must be @ 150 dpi Finished Size.
DO NOT send Flattened Files. Production can not manipulate
the content, proportion or color of these files.

NOTE: These dimensions are for graphic layout purposes.
Graphic needs to be cut and test fitted to Sacagawea header frame.

*A small portion of your graphic(s) may be hidden by monitor and counter.
Please use these diagrams to position your graphics correctly.*

Product Name: Sacagawea

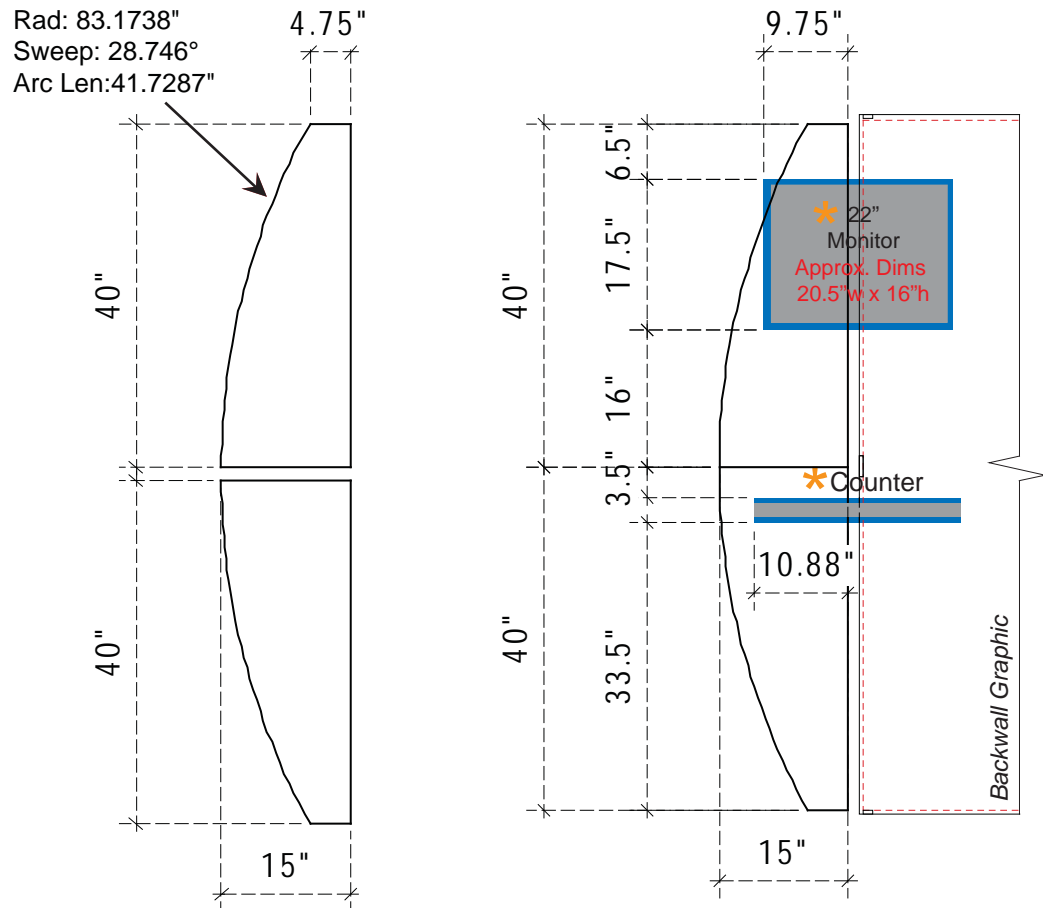
Process: Direct Print

Material: 1/8" Sintra

Effective Date: 13/19/2010

Convex Wing for T-Series

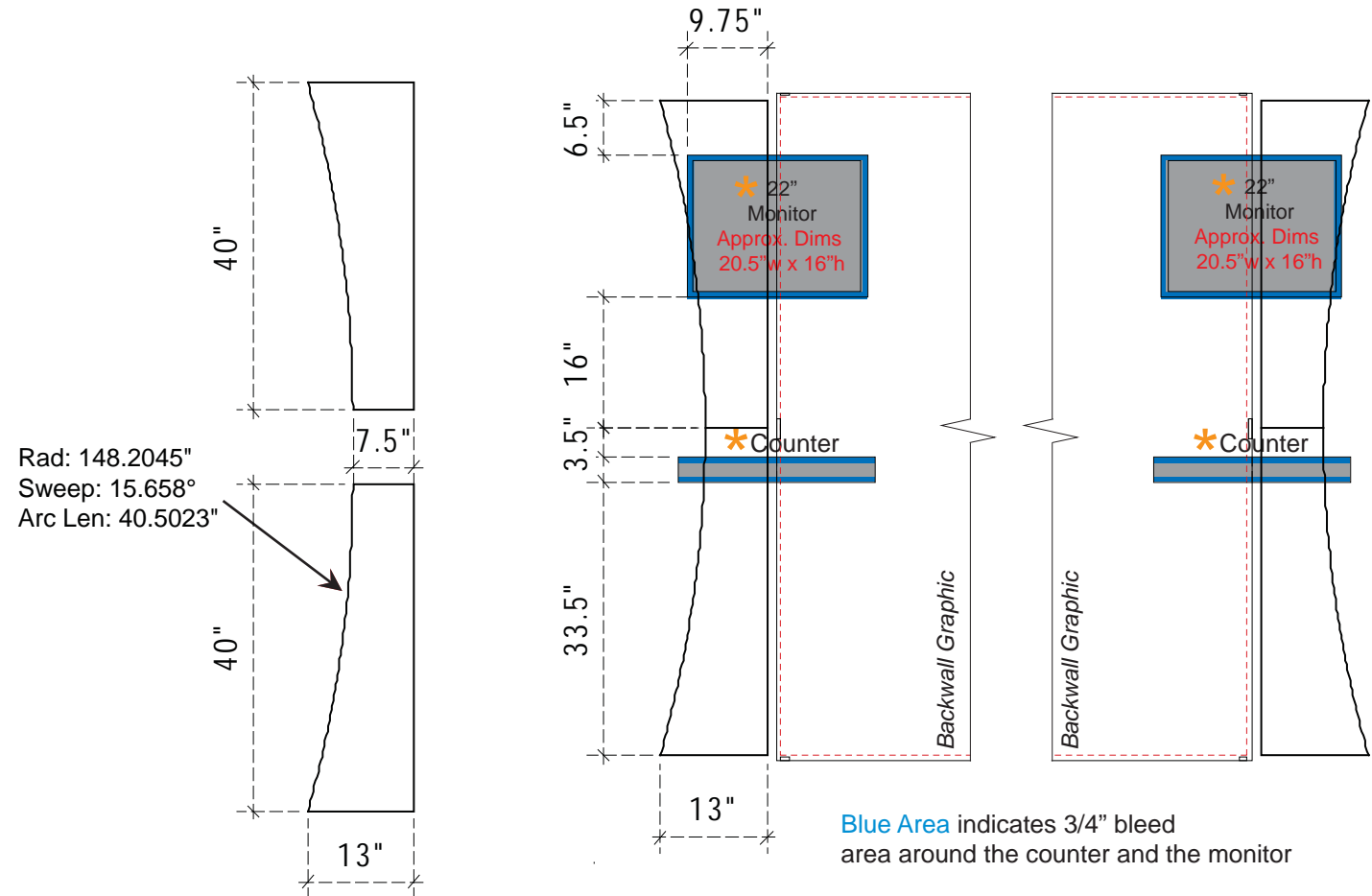
10' Unit includes (1) Bottom Panel and (1) Upper Panel



Blue Area indicates 3/4" bleed area around the counter and the monitor

Concave Wing for P-Series

10' Unit includes (2) Bottom Panel and (2) Upper Panel

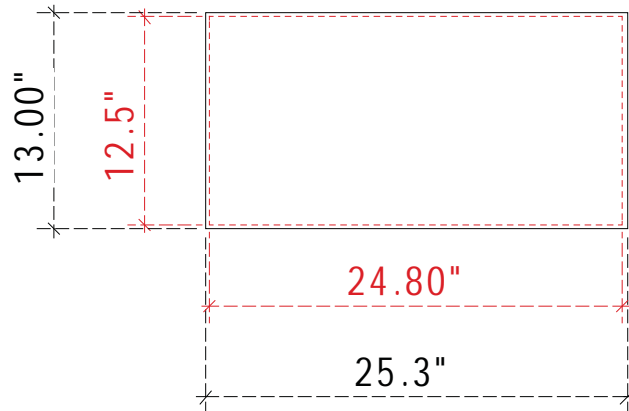


Blue Area indicates 3/4" bleed area around the counter and the monitor

**NOTE: Graphic files must be @ 150 dpi Finished Size.
DO NOT send Flattened Files. Production can not manipulate
the content, proportion or color of these files.**

Product Name: Sacagawea
Process: Direct Print
Material: See Below
Effective Date: 3/19/2010

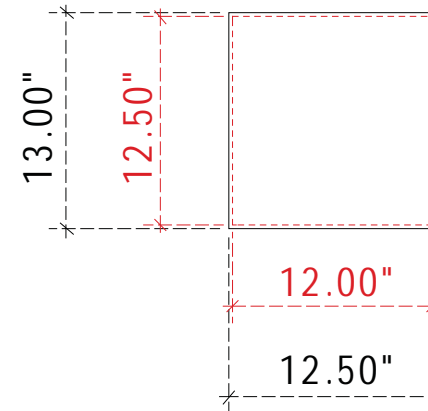
Pedestal Front Insert
Material: 1/8" Sintra



Finished Size: 25.3"w x 13"h
Graphic live area: 24.8"w x 12.5"h

Add 1/4" bleed around perimeter

Pedestal Side Insert
Material: 1/4" Sintra



Finished Size: 12.5"w x 13"h
Graphic live area: 12"w x 12.5"h

Add 1/4" bleed around perimeter

NOTE: Graphic files must be @ 150 dpi Finished Size.
DO NOT send Flattened Files. Production can not manipulate the content, proportion or color of these files.