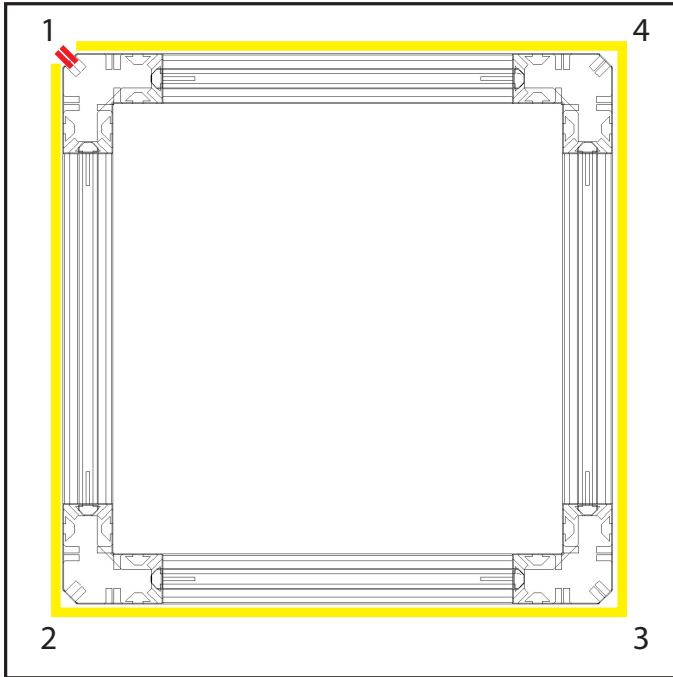


Panoramic Frame

Component - Pano_Counter_A

Graphic template



Graphic placement,
s/s = start/stop points

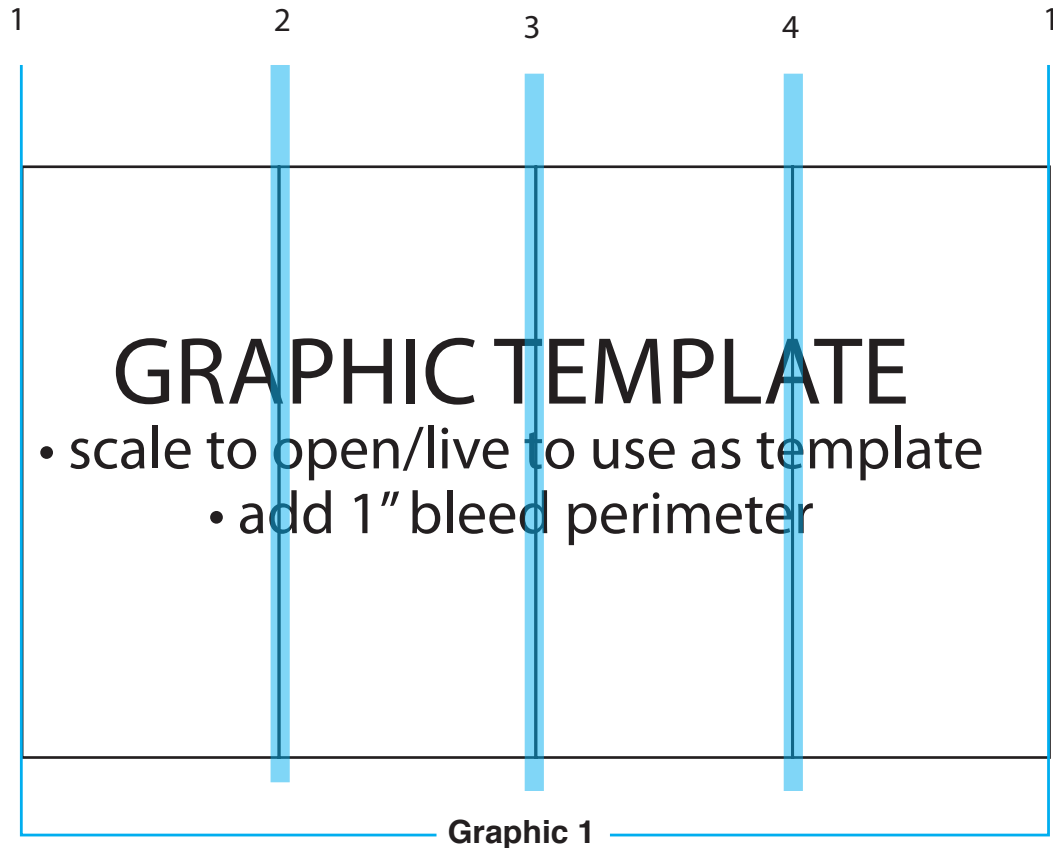
Open/Live

Print/Final

Graphic 1 - s/s = 1/1

69.2"x39.34"

70.186"x40.33"



GRAPHIC TEMPLATE

- scale to open/live to use as template
- add 1" bleed perimeter

- - start/stop point on frame

■ - corner/wrap location

— - start/stop point on graphic

■ - current graphic