

Panoramic Frame

Component - Pano_Wall_20_C

Estimate detail

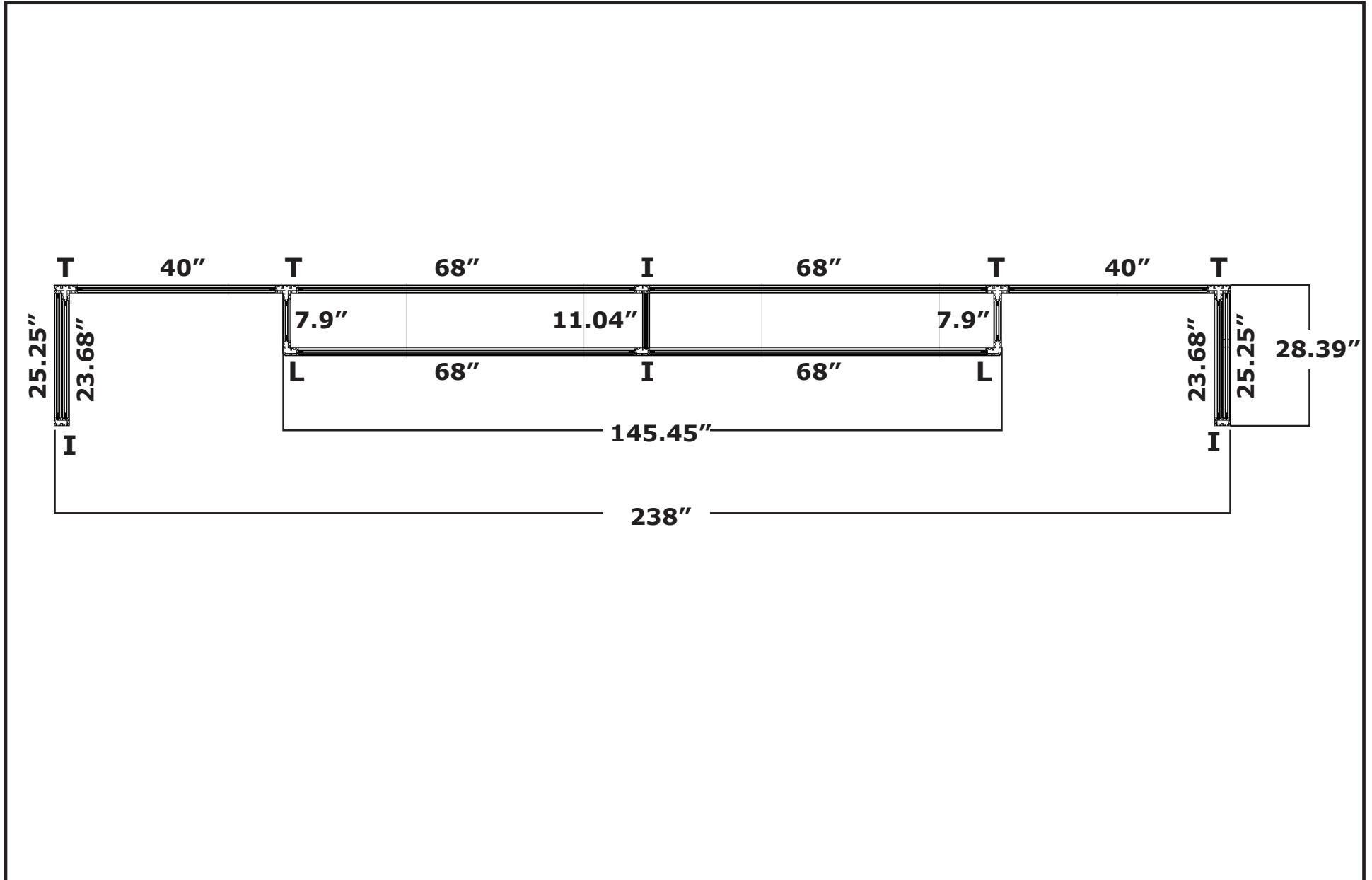
PanoEst_Wall_20_C

Estimate

04/22/11

W:238" D:29.97" H:94.5"

Part Name	Part Dimension	Height in inches	Quantity	Linear foot totals	
Pano_L_Frame	80x80mm/3.15x3.15	Total # of pcs	2	Total LF	15.6667
		94	2		15.6667
Pano_I_Frame	40x80mm/1.57x3.15	Total # of pcs	4	Total LF	31.3333
		94	4		31.3333
Pano_T_Frame	80x80mm/4.72x3.15	Total # of pcs	4	Total LF	31.3333
		94	4		31.3333
Pano_F - Top	40mmx40mm/1.57"x1.57	Total # of pcs	13	Total LF	39.725
		40	2		6.6667
		68	4		22.6667
		7.9	2		1.3167
		11.04	1		0.92
		25.25	2		4.2083
		23.68	2		3.9467
Pano_F - Bottom	40mmx40mm/1.57"x1.57	Total # of pcs	13	Total LF	39.725
		40	2		6.6667
		68	4		22.6667
		7.9	2		1.3167
		11.04	1		0.92
		25.25	2		4.2083
		23.68	2		3.9467
Total Graphic Square Foot Area		252.72	1		



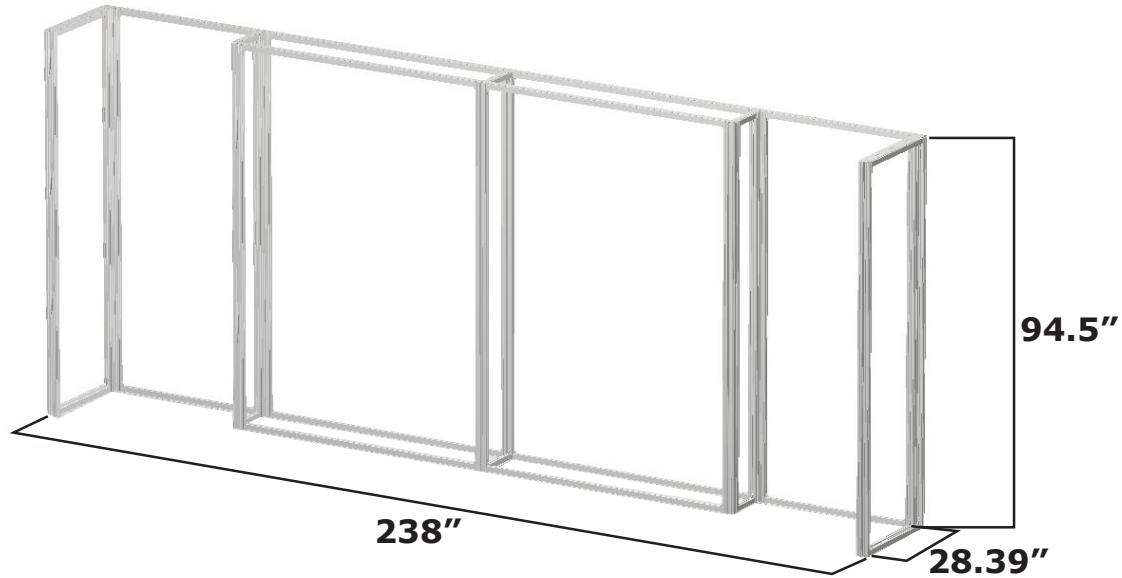
Plan View

Vertical Extrusion = 94"

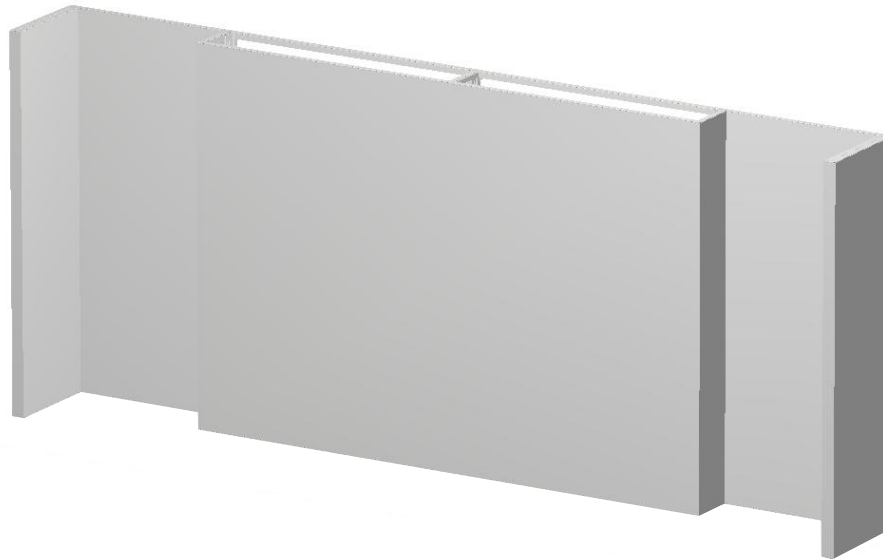
Panoramic Frame

Component - Pano_Wall_20_C

Frame detail



ISO frame view



ISO frame w/ fpo view