

# Panoramic Frame

Component - Pano\_Wall\_10\_D

Estimate detail

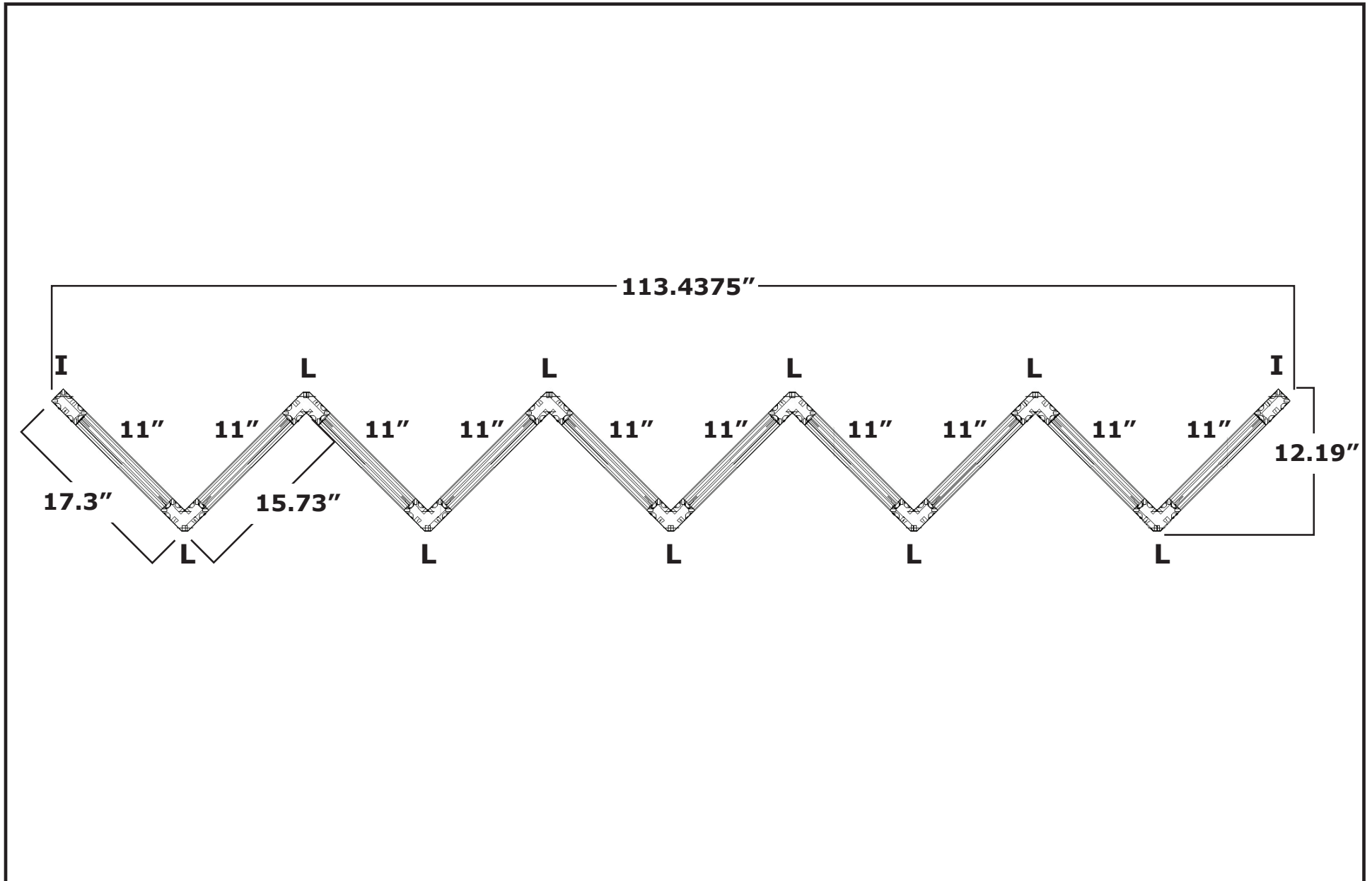
**PanoEst\_Wall\_10\_D**

Estimate

04/08/11

W:113.4375" D:12.19" H:94.5"

Part Name	Part Dimension	Height in inches	Quantity	Linear foot totals
<b>Pano_L_Frame</b>	80x80mm/3.15x3.15	Total # of pcs	9	<b>Total LF 70.5</b>
			94	70.5
<b>Pano_I_Frame</b>	40x80mm/1.57x3.15	Total # of pcs	2	<b>Total LF 15.6667</b>
			94	15.6667
		Length in inches	Quantity	
<b>Pano_F - Top</b>	40mmx40mm/1.57"x1.57	Total # of pcs	10	<b>Total LF 9.1667</b>
			11	9.1667
<b>Pano_F - Bottom</b>	40mmx40mm/1.57"x1.57	Total # of pcs	10	<b>Total LF 9.1667</b>
			11	9.1667
<b>Total Graphic Square Foot Area</b>		<b>132.31</b>	<b>1</b>	



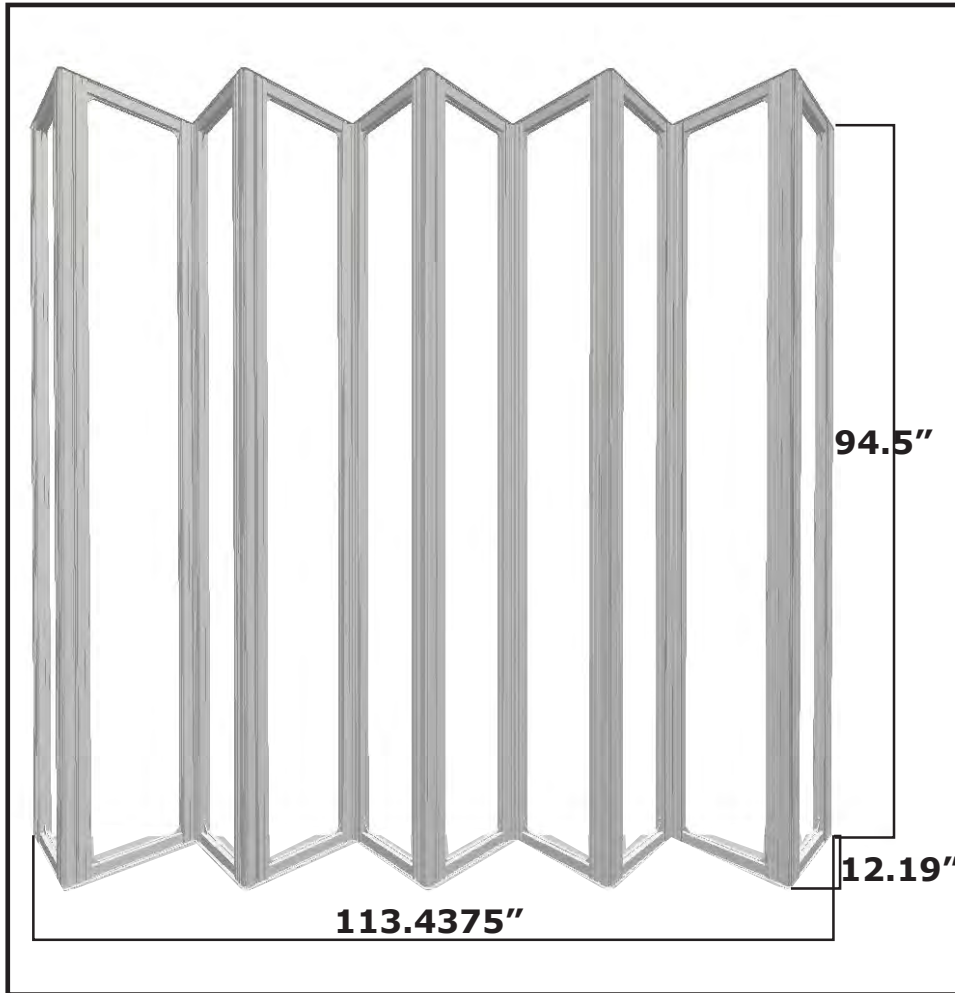
Plan View

**Vertical Extrusion = 94"**

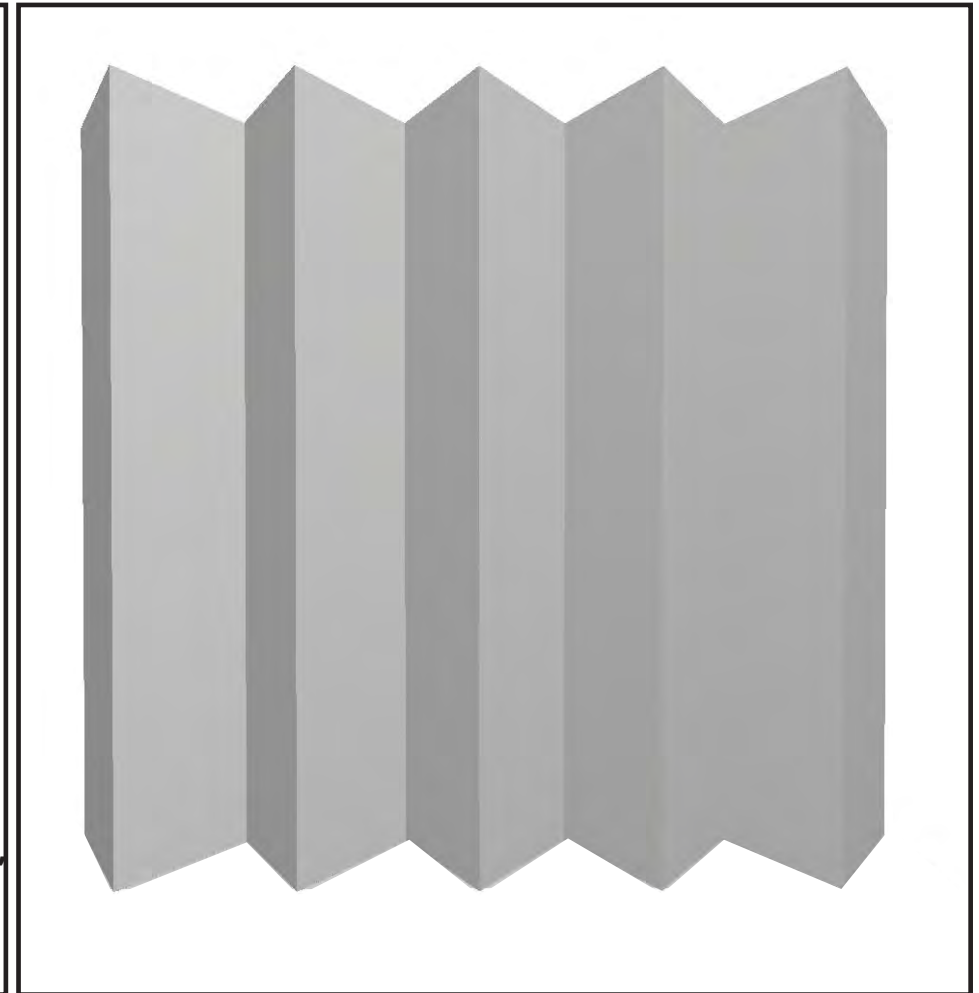
# Panoramic Frame

Component - Pano\_Wall\_10\_D

Frame detail



ISO frame view



ISO frame w/ fpo view