

Panoramic Frame

Component - Pano_Wall_10_B

Estimate detail

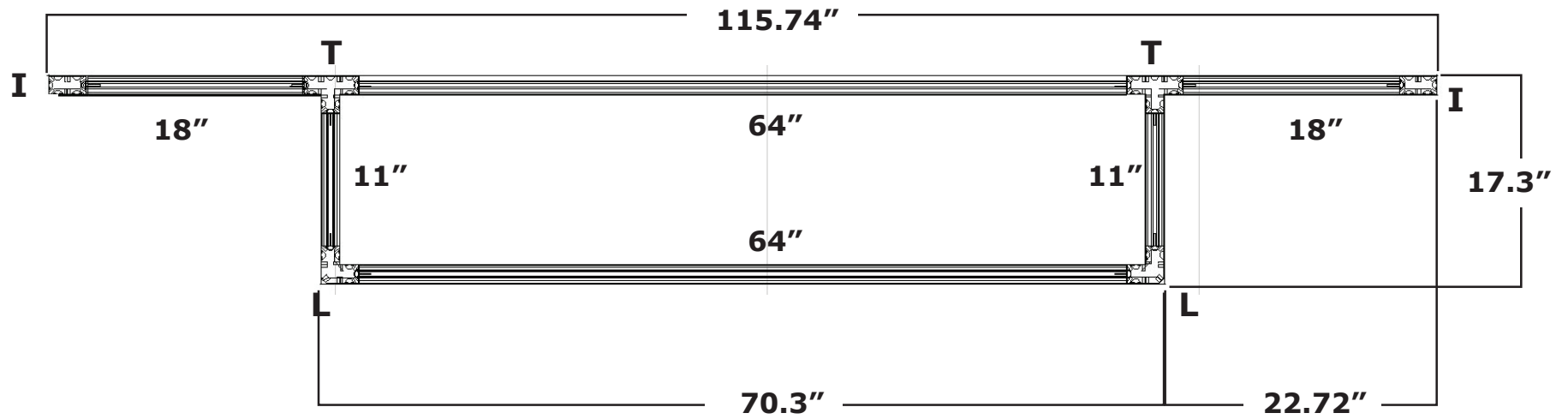
PanoEst_Wall_10_B

Estimate

04/08/11

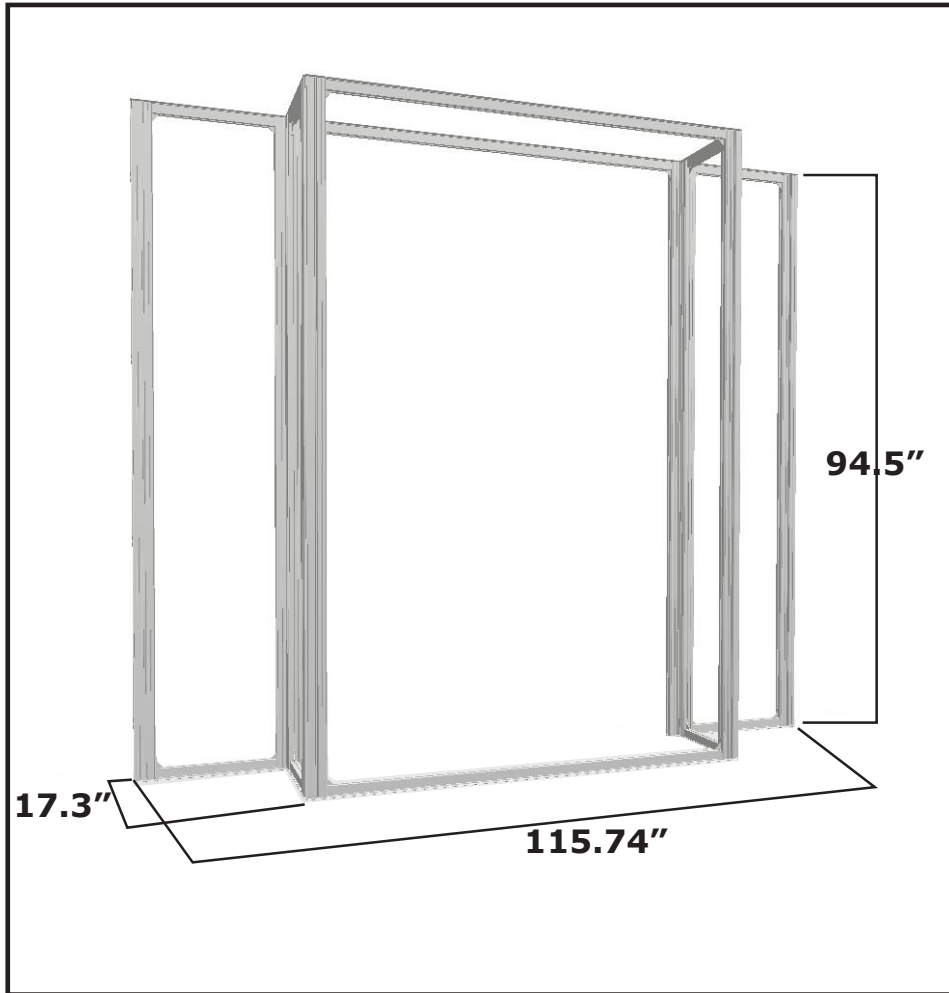
W:115.74" D:17.3" H:94.5"

Part Name	Part Dimension	Height in inches	Quantity	Linear foot totals
Pano_L_Frame	80x80mm/3.15x3.15	Total # of pcs	2	Total LF 15.6667
		94	2	15.6667
Pano_I_Frame	40x80mm/1.57x3.15	Total # of pcs	2	Total LF 15.6667
		94	2	15.6667
Pano_T_Frame	80x80mm/4.72x3.15	Total # of pcs	2	Total LF 15.6667
		94	2	15.6667
Pano_F - Top	40mmx40mm/1.57"x1.57	Length in inches	Quantity	
		Total # of pcs	6	Total LF 15.5
		11	2	1.8333
		18	2	3
		64	2	10.6667
Pano_F - Bottom	40mmx40mm/1.57"x1.57	Total # of pcs	6	Total LF 15.5
		11	2	1.8333
		18	2	3
		64	2	10.6667
Total Graphic Square Foot Area		101.47	1	

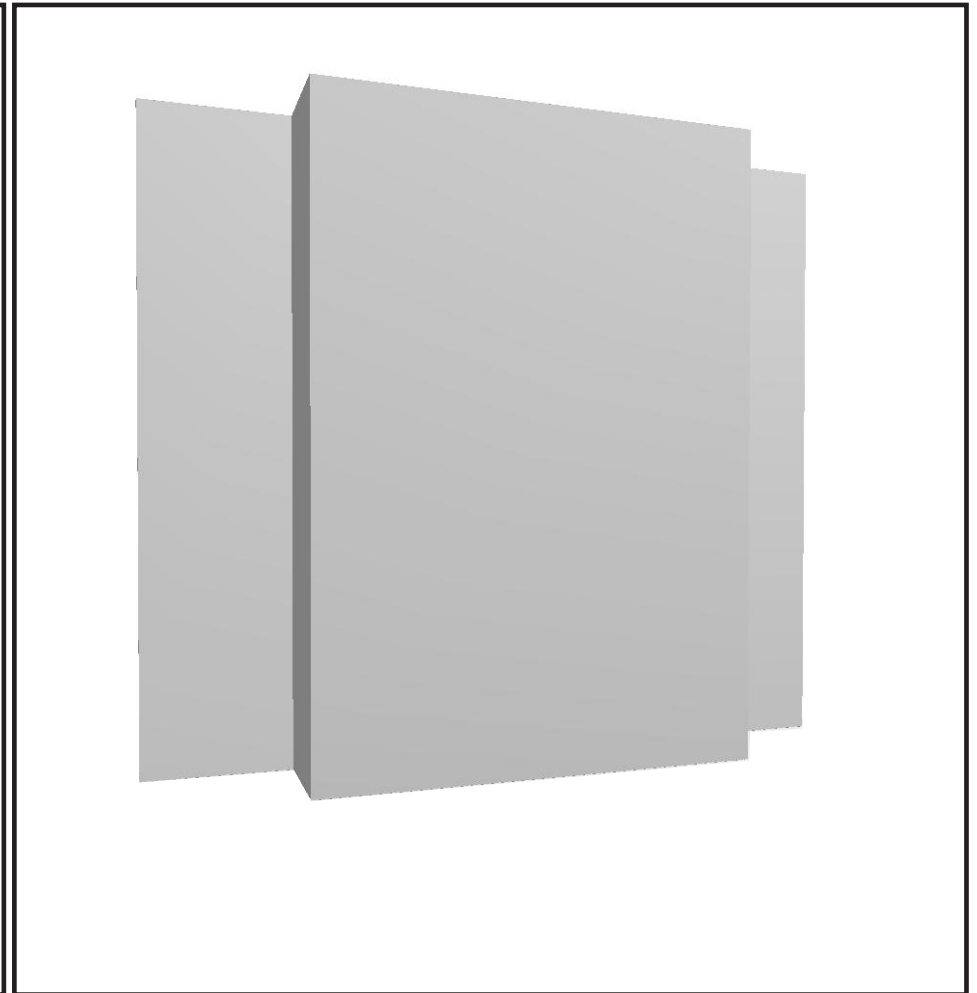


Plan View

Vertical Extrusion = 94"



ISO frame view



ISO frame w/ fpo view