


Panoramic Frame

Component - Pano_Tower_B

Frame Assembly

Parts -	total # of pieces	Pano_L-Frame
Pano_L-Frame	4	
Pano_F-Frame - Top	4	
Pano_F-Frame - Bottom	4	

W:31.55" D:31.55" H:94.5"

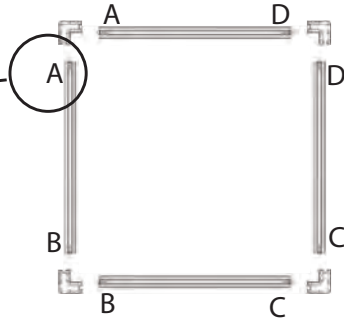
Pano_F-Frame
Horizontals



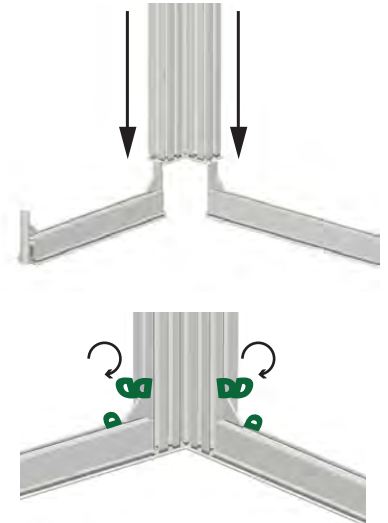
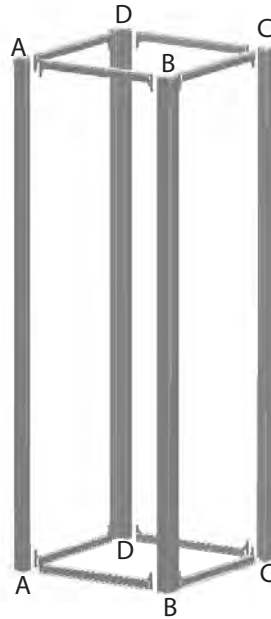
Note: Frame connection points are labeled with letters.
Graphic installation points are identified with numbers.

Step 1 - Arrange bottom Pano_F horizontal sections in place according to frame detail. Corner connectors will already be in place and sections will be labeled with a single letter at each end.

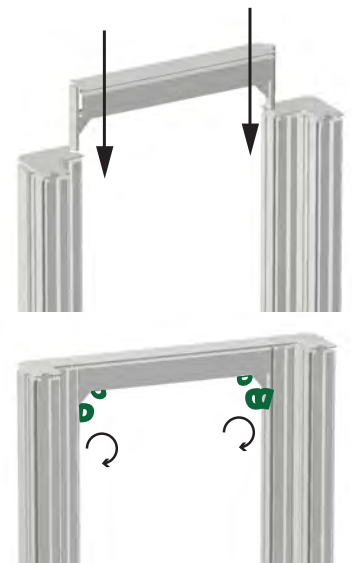
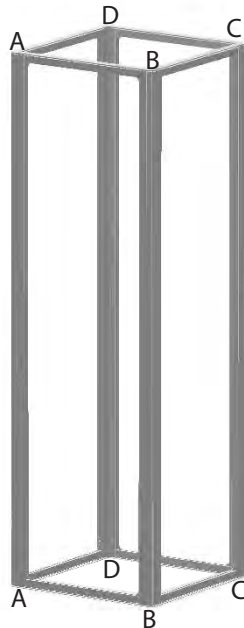
Pano_F
Horizontals

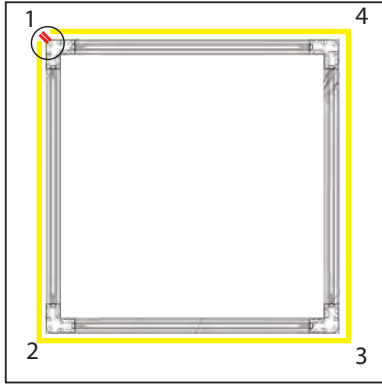


Step 2 - Place assembled vertical posts down onto corner connector on horizontal section. Do one wall or section at a time. Tighten D screws on vertical posts.

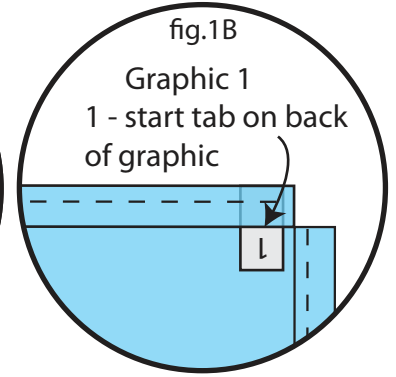
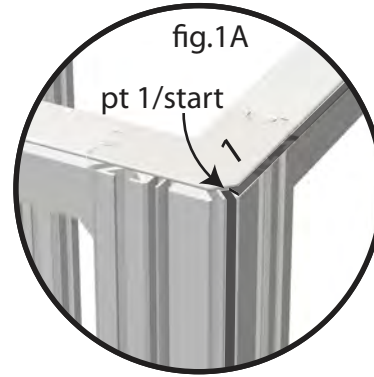
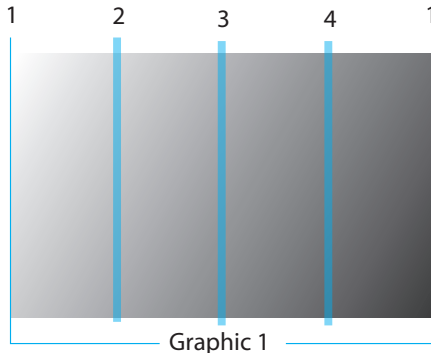


Step 3 - Top horizontal posts will have the same labels as the bottom horizontals with corner connectors attached. Slide top extrusion connectors down onto tops of vertical posts. Tighten D screws on vertical posts.

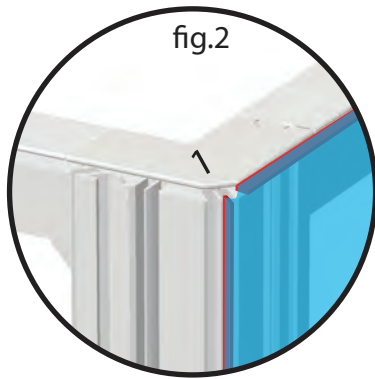




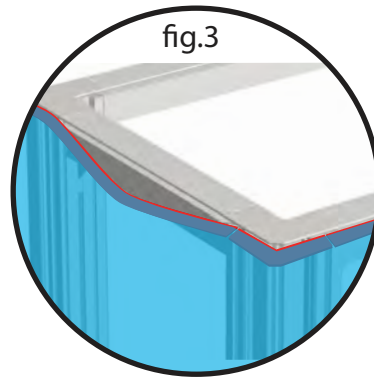
Note: Frame connection points are labeled with letters. Graphic installation points are identified with numbers.



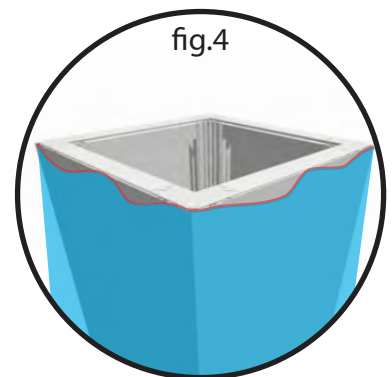
Step 1 - Identify start point on top of frame (fig. 1A, label-1) and graphic top left corner with start tab (fig. 1B, shown in blue).



Step 2 - Insert 1 Top corner of graphic and welt into top groove of L vertical post at point 1. Align welt on left with vertical groove, insert a few inches. See fig. 2



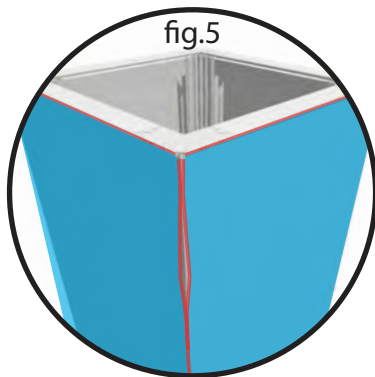
Step 3 - Align corner 2 of graphic with corner 2 on frame. Continue aligning corners around frame to final stop point.



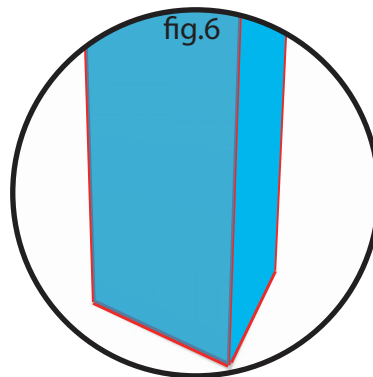
Step 4 - Work in top welt between corners from center out to corners making sure graphic is evenly distributed.

Corners must be done first to assure proper fit.

Be sure to push graphic into the groove, not slide.



Step 5 - Insert welt in vertical grooves between top and bottom corners. Work from middle out making sure graphic is evenly distributed.



Step 6 - Follow steps 1-5 for bottom of graphic.

